

Amplified Omnidirectional VHF/UHF TV Antenna

15-1634

OWNER'S MANUAL — Please read before using this equipment.

CONTENTS

Important Safety Precautions	1
Important Antenna Notes	1
Pre-Installation Test	2
Mounting The Antenna	2
Inside Mounting	2
Outside Mounting	2
Lightning Protection	3
Connecting The Antenna To Your TV	3
Coaxial Cable Installation Precautions	4
Specifications	4

! IMPORTANT !

If an icon appears at the end of a paragraph, go to the box on that page with the corresponding icon for pertinent information.

⚠ — Warning

! — Important

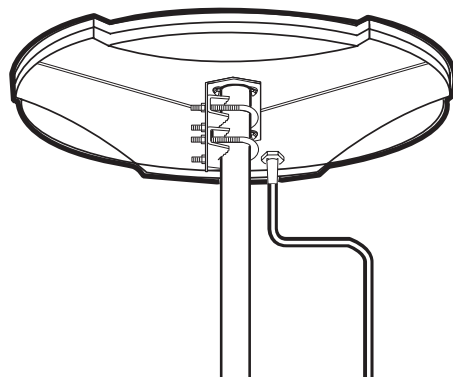
⚡ — Caution

💡 — Hint

📄 — Note

⚠ WARNING ⚠

Use extreme caution when installing an outdoor antenna close to overhead wires. If the antenna starts to fall, let it go! If any part of the antenna makes contact with overhead power lines, touching the antenna, mast, cable or guy wires can cause electrocution and death. Call the power company to remove the antenna. Do not attempt to remove it yourself!



Your Radio Shack Amplified Omnidirectional VHF/UHF TV Antenna provides excellent reception of VHF/UHF TV channels in most viewing locations. The UV-protected housing is made of impact-resistant filled co-polymer, making the exterior resistant to weathering and color change. The antenna's unique omnidirectional characteristics provide excellent reception in areas where broadcasts are received from different directions.

The built-in fixed FM trap helps prevent strong FM stations from interfering with TV Channels 2–13.

IMPORTANT SAFETY PRECAUTIONS

Many do-it-yourself and professional antenna installers are injured or killed each year by electric shock, because they fail to recognize overhead wires as being potentially lethal. Touching any part of the antenna mast or guy wire to these overhead wires is the same as touching the wires with your bare hand.

A very serious shock is almost sure to result when contacting an electrical wire. In the case of primary wires on the top of poles, the shock is like being struck by a bolt of lightning. Many power wires are within 20 to 25 feet of the ground and could easily be touched by an assembled antenna and mast. ⚠

Please read and follow these important safety precautions:

- Be sure to select an antenna site well away from all overhead wires.
- Do not try to guess which overhead wires carry high voltage. Check with the power company.

- If you notice anything making contact with the overhead wires, call the power company to have it removed safely.
- Do not run the download cable over power wires.
- Get help from a qualified professional when removing the old antenna if there is any doubt of clearing overhead wires.
- Never install an antenna when it is windy.
- Be sure to do all assembly work on the ground, then raise the antenna.
- Make sure the antenna mast download cable is connected to suitable lightning arrestors.
- Use 8 (or larger) AWG ground wire between the mast and ground.
- Make sure the installation is secure. Use plenty of guy wires and new hardware.

IMPORTANT ANTENNA NOTES

This antenna system is designed to work properly when the power injector is connected to the antenna through a 75-ohm coax cable.

The power injector's indicator lights to show that:

- DC power is supplied to the antenna

- there are no shorts in the connection between the power injector and antenna

The coax cable between the power injector and the antenna carries:

- DC power from the power injector to the amplifier board in the antenna



RadioShack®

www.radioshack.com™

© 2002 RadioShack Corporation.
All Rights Reserved.

RadioShack and RadioShack.com are trademarks
used by RadioShack Corporation.

NOTE

If installing a new lead-in cable, use the actual cable to be used in the installation.

NOTE

If installing the antenna in a motor home, we recommend you use a 12V DC cord (not supplied, available at your local RadioShack store and online at RadioShack.com).

- the amplified TV signal from the antenna, through the power injector, to the video equipment

If any devices (such as amplifiers, splitters, combiners, matching transformers, 300-ohm cable) are used in your home cabling system, they must be connected between the power injector and your video equipment. Any devices connected between the power injector and the antenna might cause a short in the amplifier power source. If this happens, the injector's indicator does not light and the signals to your video equipment (multiple TVs or VCRs) might be significantly degraded.

PRE-INSTALLATION TEST

Before installing your antenna, perform this test to make sure it works properly.

1. Connect a temporary 75-ohm cable between the power injector's **ANT 75-ohm** jack and the antenna's F-connector.
2. Connect the power injector's TV cable to your TV's VHF/UHF 75-ohm F-connector.
3. Insert the supplied AC adapter's small plug into the **DC 12V** jack on the power injector.
4. Plug the supplied AC adapter into a standard AC outlet. If the power injector's indicator lights, the antenna is properly connected.

MOUNTING THE ANTENNA

INSIDE MOUNTING

You can mount the antenna in an attic, closet or other out-of-the way indoor location. The antenna can be mounted on a horizontal mast, closet rod, or on a short piece of mast suspended from a roof support by a 4-inch wall-mount bracket (not supplied, available at RadioShack).

Or, you can simply place the antenna on a shelf in a closet. Be sure the antenna is not in a position where it could easily fall or be damaged.

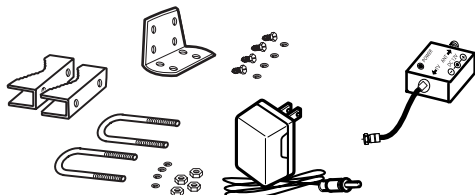
OUTSIDE MOUNTING

For the best results, mount the antenna away from trees or other obstructions. Higher frequencies are noticeably affected by these obstructions.

The antenna is easy to install on any antenna mast or optional light-duty mount using simple hand tools and the following additional items (not supplied, available at RadioShack).

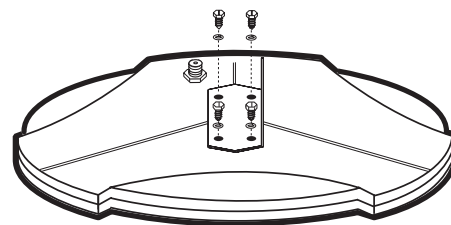
- coax downlead (we recommend RG-6 cable for best performance)
- connection sealant tape or weather boots

The antenna package includes these parts:

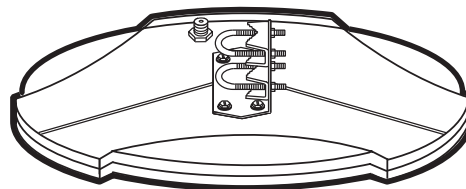


Description	Quantity
Antenna	1
Antenna Mounting Bracket	1
Mast Clamps	2
1/4-Inch U-Bolts	2
1/4-Inch Split Lockwashers	4
1/4-20 Hex Nuts	4
#12 1/2-Inch Long Self-Tapping Screws	4
#12 Split Lockwashers	4
Power Injector	1
AC Adapter	1

1. Attach the antenna mounting bracket to the bottom of the antenna using the four #12 (1/2-inch long) self-tapping screws and four #12 split lockwashers.



2. Attach both mast clamps, U-bolts, four 1/4-inch split lockwashers, and four 1/4-20 hex nuts to the mounting bracket. Do not tighten the hex nuts.



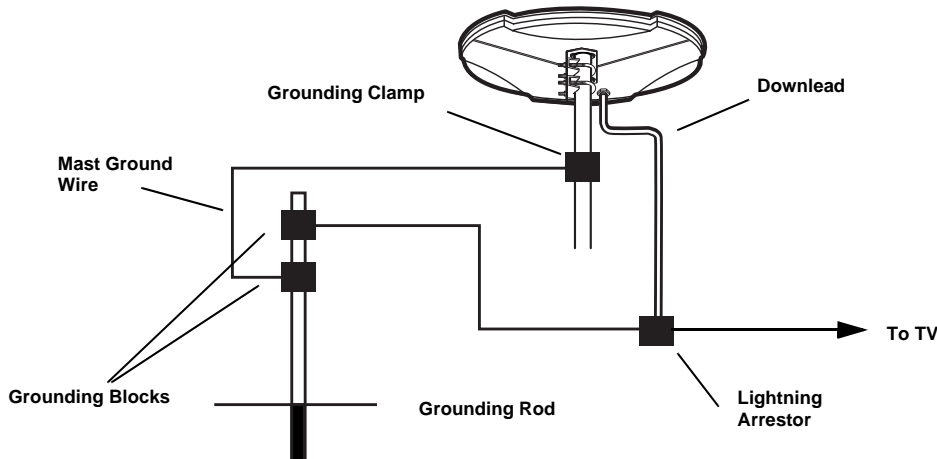
3. Plug one end of the 75-ohm coaxial downlead cable to the antenna's jack

and seal the connection with coax sealant tape or a weather boot.

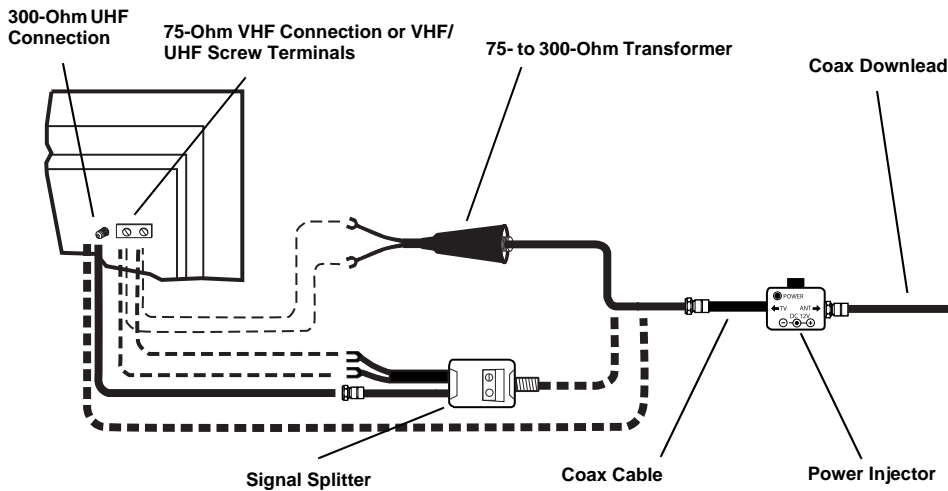
4. Mount the antenna on the mast, and secure it by tightening the hex nuts evenly onto the U-bolts.

LIGHTNING PROTECTION

- Ground wires for both the mast and downlead should be copper or aluminum wire, 8 AWG or larger.
- Mount a grounding block (not supplied, available at RadioShack) as close as possible to where the downlead enters the house.
- Downlead wire from the antenna to the grounding block and the mast ground wire should be secured to the house with stand-off insulators, spaced 4–6 feet apart.



CONNECTING THE ANTENNA TO YOUR TV



1. Connect the coax downlead from the antenna to the **ANT** jack on the power injector.
2. *If your TV has an F-connector,* connect the short piece of coax from the power injector to your TV's VHF/UHF 75-ohm F-connector.
3. Insert the supplied AC adapter's small plug into the power injector's **DC 12V** jack. Plug the adapter into a standard AC outlet. The power injector's indicator lights to indicate that the antenna is properly connected.

If your TV has screw terminals for VHF/UHF connection, connect a 75-to-300 ohm transformer (not supplied, available at RadioShack) between the power injector and the VHF/UHF terminals.

If your TV has a 75-ohm VHF connection and a 300-ohm UHF connection, connect a signal splitter (not supplied, available at RadioShack) between the

Limited Ninety-Day Warranty

This product is warranted by RadioShack against manufacturing defects in material and workmanship under normal use for ninety (90) days from the date of purchase from RadioShack company-owned stores and authorized RadioShack franchisees and dealers. EXCEPT AS PROVIDED HEREIN, RadioShack MAKES NO EXPRESS WARRANTIES AND ANY IMPLIED WARRANTIES, INCLUDING THOSE OF MERCHANTABILITY AND FITNESS FOR A PARTICULAR PURPOSE, ARE LIMITED IN DURATION TO THE DURATION OF THE WRITTEN LIMITED WARRANTIES CONTAINED HEREIN. EXCEPT AS PROVIDED HEREIN, RadioShack SHALL HAVE NO LIABILITY OR RESPONSIBILITY TO CUSTOMER OR ANY OTHER PERSON OR ENTITY WITH RESPECT TO ANY LIABILITY, LOSS OR DAMAGE CAUSED DIRECTLY OR INDIRECTLY BY USE OR PERFORMANCE OF THE PRODUCT OR ARISING OUT OF ANY BREACH OF THIS WARRANTY, INCLUDING, BUT NOT LIMITED TO, ANY DAMAGES RESULTING FROM INCONVENIENCE, LOSS OF TIME, DATA, PROPERTY, REVENUE, OR PROFIT OR ANY INDIRECT, SPECIAL, INCIDENTAL, OR CONSEQUENTIAL DAMAGES, EVEN IF RadioShack HAS BEEN ADVISED OF THE POSSIBILITY OF SUCH DAMAGES.

Some states do not allow limitations on how long an implied warranty lasts or the exclusion or limitation of incidental or consequential damages, so the above limitations or exclusions may not apply to you.

In the event of a product defect during the warranty period, take the product and the RadioShack sales receipt as proof of purchase date to any RadioShack store. RadioShack will, at its option, unless otherwise provided by law: (a) correct the defect by product repair without charge for parts and labor; (b) replace the product with one of the same or similar design; or (c) refund the purchase price. All replaced parts and products, and products on which a refund is made, become the property of RadioShack. New or reconditioned parts and products may be used in the performance of warranty service. Repaired or replaced parts and products are warranted for the remainder of the original warranty period. You will be charged for repair or replacement of the product made after the expiration of the warranty period.

This warranty does not cover: (a) damage or failure caused by or attributable to acts of God, abuse, accident, misuse, improper or abnormal usage, failure to follow instructions, improper installation or maintenance, alteration, lightning or other incidence of excess voltage or current; (b) any repairs other than those provided by a RadioShack Authorized Service Facility; (c) consumables such as fuses or batteries; (d) cosmetic damage; (e) transportation, shipping or insurance costs; or (f) costs of product removal, installation, set-up service adjustment or reinstallation.

This warranty gives you specific legal rights, and you may also have other rights which vary from state to state.

RadioShack Customer Relations, 200 Taylor Street,
6th Floor, Fort Worth, TX 76102

12/99

COAXIAL CABLE INSTALLATION PRECAUTIONS

- Do not bend coaxial cable (RG-6/U) into less than a 3-inch radius. Tighter bends can cause shorts and change the cable's impedance.
- Do not install coaxial cable where it will have a pulling tension greater than 50 pounds maximum. Leave no tension on the cable after installing it.
- Use only round-headed staples. Any clamps or securing devices used with coax should grip the cable evenly about the circumference without crushing the

cable. Flat staples can damage coax cable.

- Do not expose coaxial cable to a temperature greater than 176F (80 C). Keep the cable away from heating vents and water heaters.
- Do not install coaxial cable where it will be crushed, stuffed, wedged, or pinched.
- The cable jacket withstands most outdoor environments. However, you must seal connections and splices against water entry.

SPECIFICATIONS

Bandpass:

VHF 58–88,170–216 MHz

UHF 470–810 MHz

FM Trap (fixed) 88–108MHz, 20dB

VHF/UHF Gain 20dB Average

Impedance 75 Ohms, Unbalanced

Power Requirement 12V DC, 120 VAC, 60 Hz (with supplied adapter)

Weatherproof Housing UV-Protected Filled Copolymer

Mounting 1¹/₂-inch Outer Diameter Round Mast

Specifications are typical: individual units might vary. Specifications are subject to change and improvement without notice.